



## ILLUSTRATED PARTS LIST

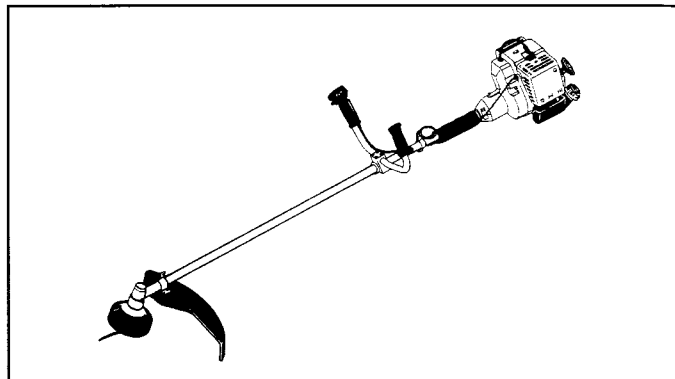
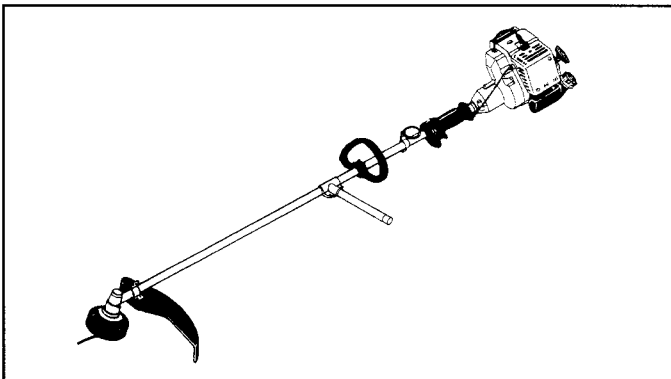
**PRO MAC 2000-2100**

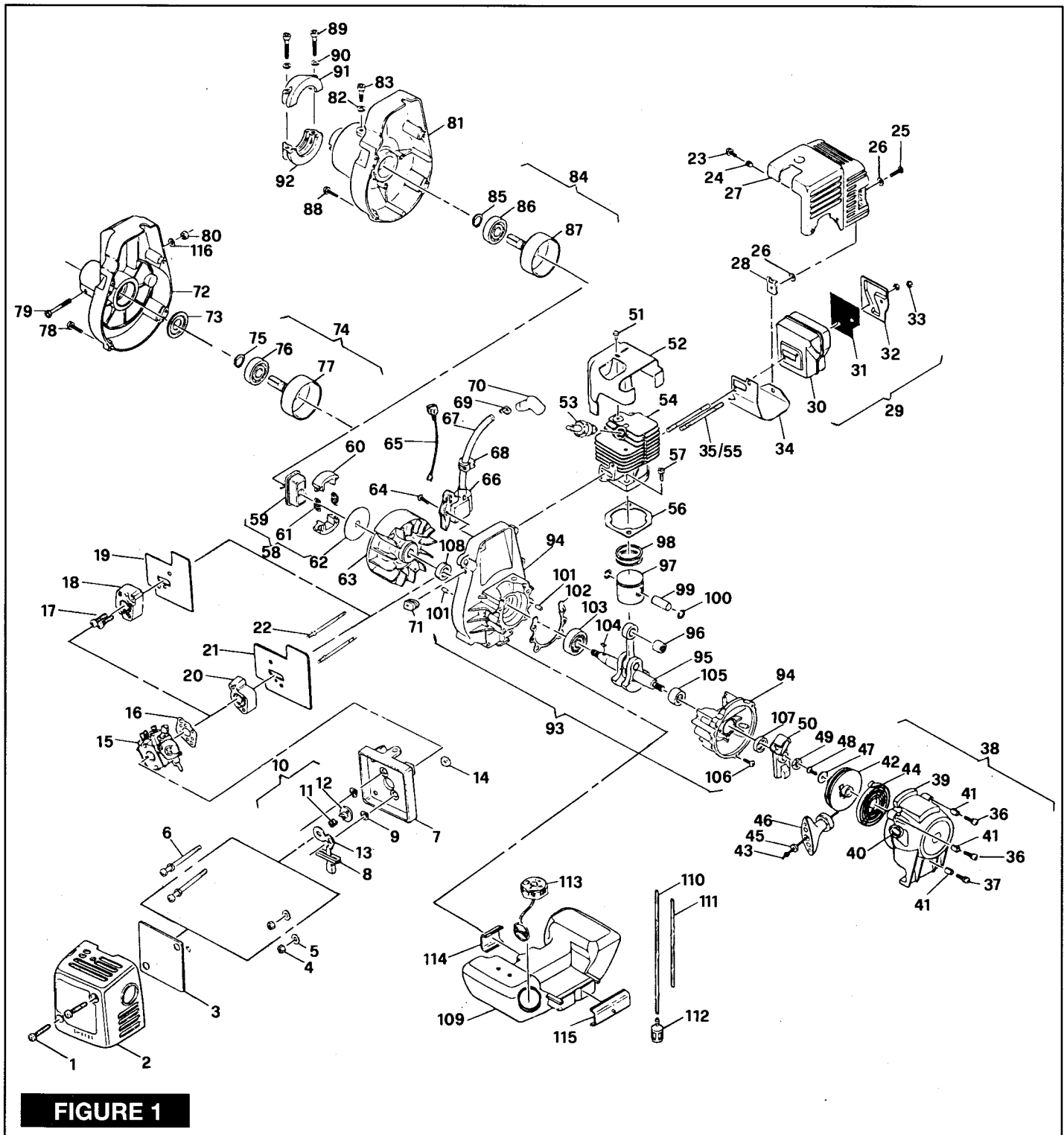
**PRO MAC 2500-2600**

**GT 40-42**

**GT 50-52**

SERIAL NUMBER PREFIX - 03





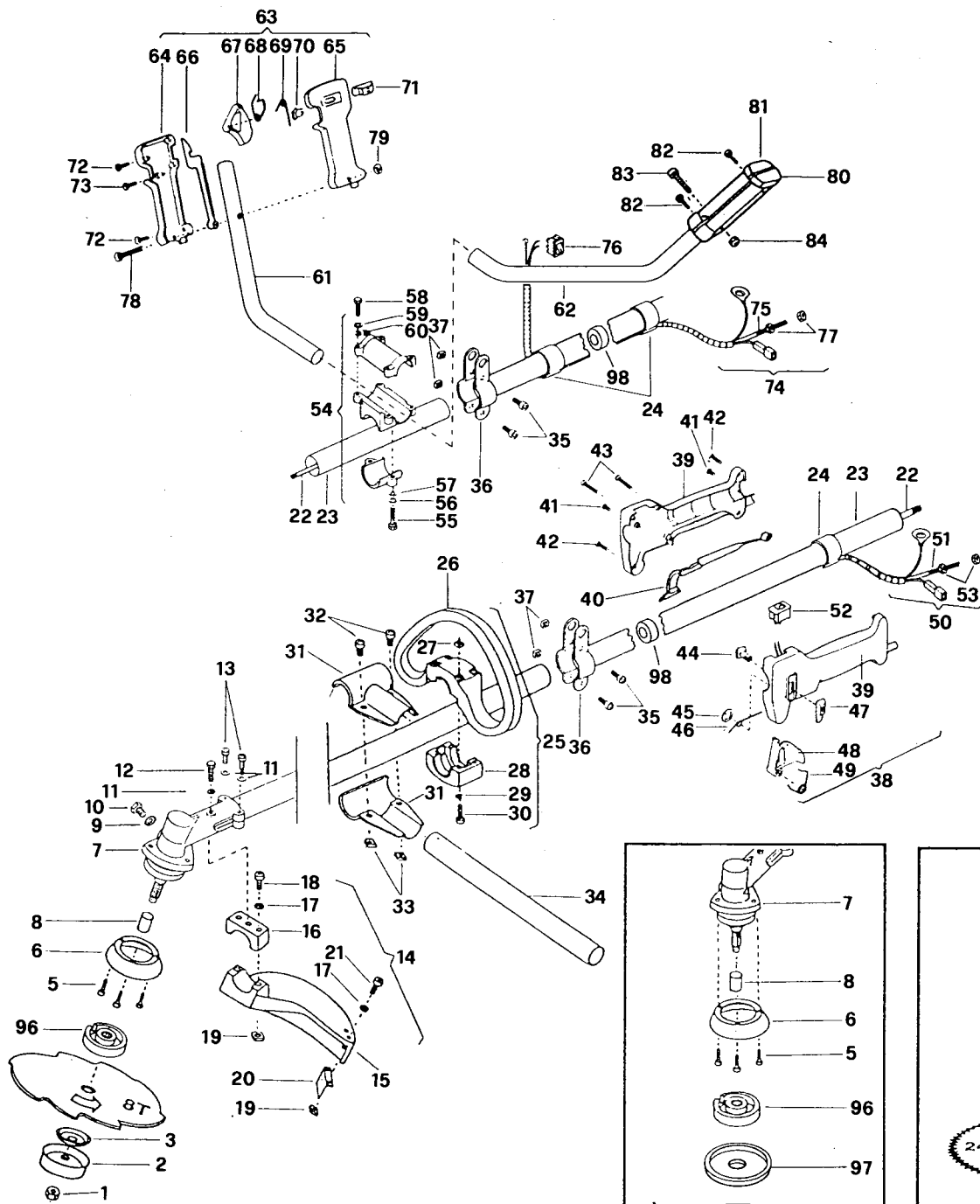
**FIGURE 1**

1	216027	M5x28	2	26	68497	3	51	213178	M5x8	1	C 74	● 218065	1	C	● 301317-01	25 cc	1	
2	323057		1	27	323058	1	52	215540-01	21 cc	1	75	● 213186	1	B 98	● 323611	21 cc	1	
B 3	227023		1	28	224350	1		224165	25 cc	1	76	● 213187	1	B	● 323678	25 cc	2	
4	235642	21cc	2	C 29	300632-01	1	A 53	92879		1	77	● -	1	99	● 218275	21 cc	1	
5	216591	21cc	2	30	● 301833-01	1	C 54	224448-01	21 cc	1	78	219508	M4x17	4	● 223589	25 cc	1	
6	111064	25cc	2	31	● 322018	1	C	225059-02	25 cc	1	79	217158	M5x35	1	100	● 111026	2	
7	301620		1	32	● 322017	1	55	● 323419		2	80	217159		1	101	● 213191	4	
8	● 215992		1	33	● 235642	2	B 56	● 323716		1	81	302176-60	25 cc	1	102	● 215545	1	
9	● 227022		2	34	● 323760	1	57	217320	M6x18	2	82	● 236529		1	103	● 216143	1	
10	● 223730		1	35	● 323419	2	B 58	217554		1	83	● 236381	M5x10	1	C104	● 102164	1	
11	● 219016		1	36	216022	M4x21	59	● 215536		1	C 84	● 218065		1	105	● 213282	1	
12	● 219076-01		1	37	217669	M4x25	60	● 215538		2	85	● 213186		1	106	● 216027	M5x28	4
13	● -		1	C 38	217388		A 61	● 223770		2	86	● 213187		1	C107	● 83859		1
14	229524		2	39	● 223331	1	62	215539		1	87	● -		1	C108	● 216500		1
C 15	FIGURE 4			40	● 218932	1	63	222308		1	88	216022	M4x21	4	C109	301853	21 cc	1
A 16	224148		1	41	● 219585	3	64	216022	M4x21	2	89	235804	M5x30	2	B110	● 300289	25 cc	1
17	111063	25 cc	2	B 42	● 301252	1	65	219383		1	90	236529		2	B	● 225057	25 cc	1
C 18	323323-01	25 cc	1	A 43	● 216093	1	C 66	302138		1	91	227700-61		1	B111	● 222238	21 cc	1
B 19	224318	25 cc	1	B 44	● 300474	1	67	● 223884		1	92	227701-61		1	B	● 225058	25 cc	1
C 20	223984	21 cc	1	45	● 218941	1	68	● 215533-01		1	93	302151	21 cc	1	A112	● 93720		1
B 21	223986	21 cc	1	46	● 216792	1	69	● 235433		1	94	302150	25 cc	1	B113	223508	21 cc	1
22	300139	21 cc	2	47	● 216590	1	70	● 235922		1	95	● 302026		1	B	● 236563	25 cc	1
23	219508	M4x17	2	48	● 215874	M4x9.5	71	215541		1	96	● 302584		1	114	217390		1
24	229121		4	49	216583		72	217548	21 cc	1	C 96	● 323930		1	115	217382		1
25	215874	M4x9.5	1	50	225037		73	● 215534		1	C 97	● 301443	21 cc	1	116	216591		1

A = high moving - alta rotazione - haute demande - große Nachfrage

B = medium moving - media rotazione - moyenne demande - mittelmäßige Nachfrage

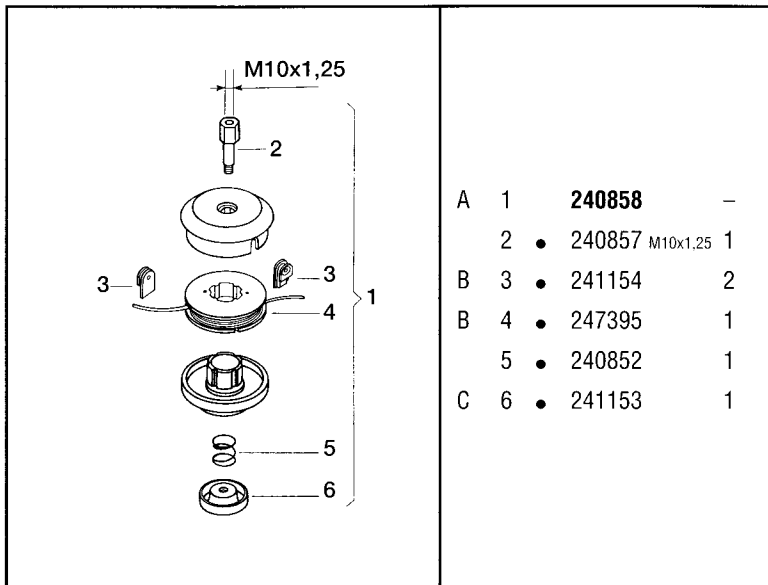
C = slow moving - bassa rotazione - basse demande - wenige Nachfrage



**FIGURE 2**

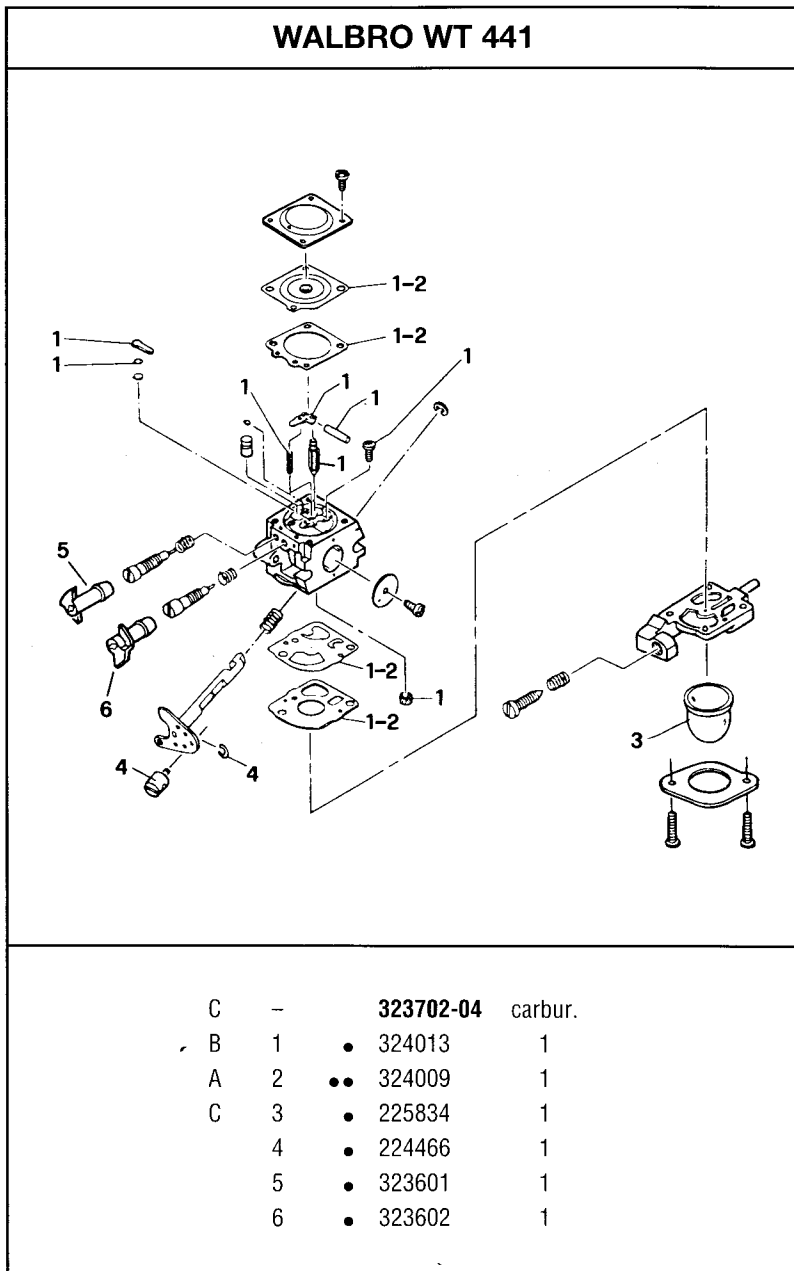
A 1	240481	1	26	● 227045	1	C 51	●● 227073	1	C 76	●● 236394	1
A 2	236596	1	27	● 236642	4	C 52	●● 236394	1	77	235912	2
A 3	241006	1	28	● 227046	1	53	235912	2	78	235804	M5x30 1
A 4	224136-01	1	29	● 236936	4	54	218391	1	79	235216	M5x30 1
5	240688	M5x14 3	30	● 228320	M6x45 4	55	● 235921	M6x30 2	80	229984	1
B 6	240767	1	31	228146	2	56	● 236528	2	81	229985	1
7	241017	1	32	235911	M6x12 2	57	● 236936	2	82	240833	2
8	● 247273	1	33	236642	2	58	● 235803	M5x25 4	83	235804	M5x30 1
9	● 235906	1	34	246864	1	59	● 236529	4	84	235216	1
10	● 240151	M8x10 1	35	235911	M6x12 2	60	● 235248	4	A 96	240615	1
11	236529	3	36	228152	2	61	229831	1	97	241155	1
12	236381	M5x10 1	37	236642	2	62	229832	1	98	228192	4
13	235803	M5x25 2	38	227280	1	63	227089	1	A 99	FIGURE 4	
B 14	247208	1	39	● 246955	1	64	● 227764	1			
B 15	● 240933	1	40	●● 229819	1	65	● 227763	1			
16	● 240931	1	41	● 236981	2	66	● 229820	1			
17	● 235248	4	42	● 240618	2	67	● 229818	1			
18	● 235806	M5x20 2	43	● 240833	4	68	● 240091	1			
19	● 236732	4	44	● 229823	1	69	● 229973	1			
20	● 224497-01	1	45	● 227065	1	70	● 229823	1			
21	● 235802	M5x14 2	46	● 229973	1	71	● 229824	1			
22	240486	1	47	● 229824	1	72	● 240618	2			
23	227233	1	48	● 227064	1	73	● 240833	4			
24	229850	2	49	● 240091	1	C 74	● 227082	1			
25	227068	1	C 50	● 227067	1	C 75	●● 227054	1			

A = high moving - alta rotazione - haute demande - große Nachfrage    B = medium moving - media rotazione - moyenne demande - mittelmäßige Nachfrage    C = slow moving - bassa rotazione - basse demande - wenige Nachfrage



A	1	<b>240858</b>	-
	2	● 240857 M10x1,25	1
B	3	● 241154	2
B	4	● 247395	1
	5	● 240852	1
C	6	● 241153	1

**FIGURE 3**



C	-	<b>323702-04</b>	carbur.
B	1	● 324013	1
A	2	●● 324009	1
C	3	● 225834	1
	4	● 224466	1
	5	● 323601	1
	6	● 323602	1

**FIGURE 4**

A = high moving - alta rotazione - haute demande - große Nachfrage  
 B = medium moving - media rotazione - moyenne demande - mittelmäßige Nachfrage  
 C = slow moving - bassa rotazione - basse demande - wenige Nachfrage